

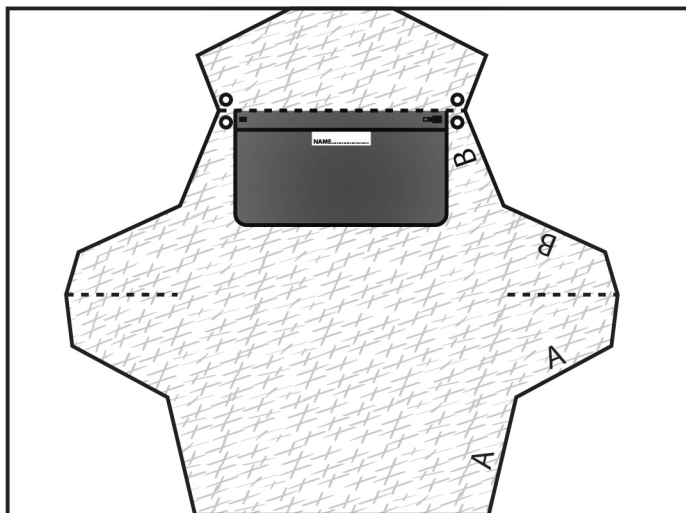
## Luella Clutch Purse (Large)

### Contents:

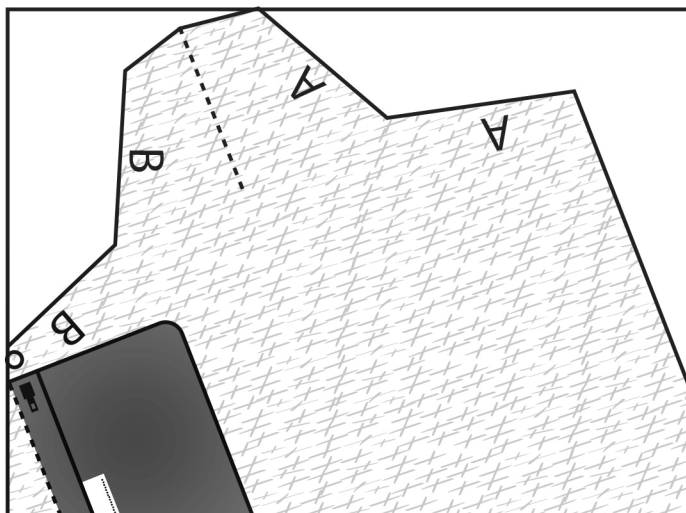
- 1 Felt Purse Piece (with pocket)
- 1 Leather Magnetic Buckle Closure
- 1 Leather Cross Body Strap

### To Make:

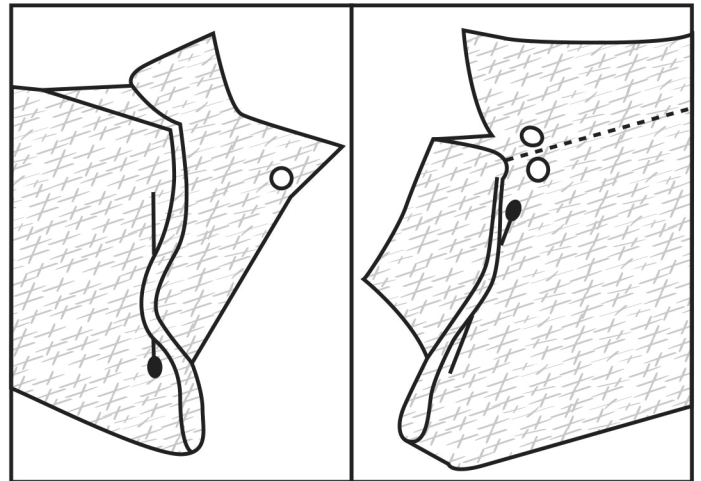
1. Lay purse piece flat with pocket facing up.



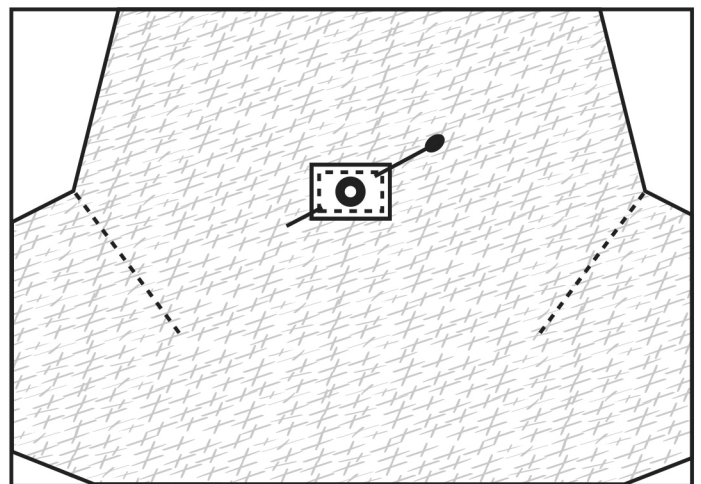
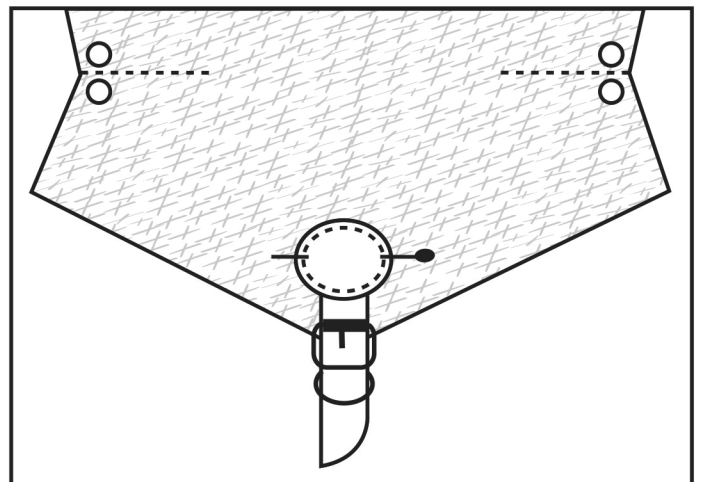
2. Fold flap A to flap A, pin in place, repeat for other side.



3. Fold flap B to flap B, pin in place.



4. Mark position of magnetic buckle closure and pin.



5. Undo pins and embellish as desired, making sure to stitch magnetic buckle closure in place.

6. To make up, pin as before, machine or hand stitch together.

**Congratulations, your Aster & Anne bag is complete!**