

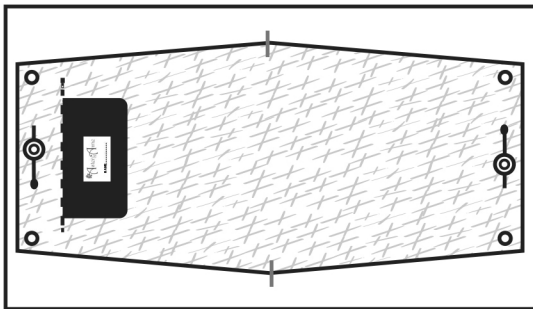
## Anna Large Tote Bag

### Contents:

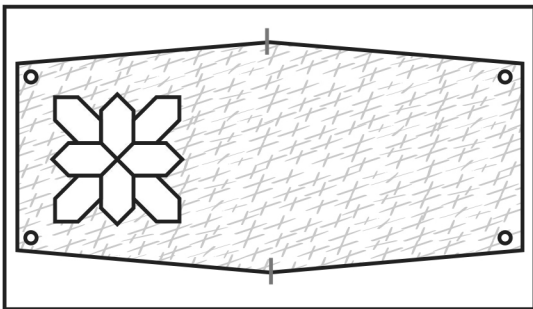
- 1 Felt Bag Piece (with pocket)
- 2 Felt Gusset Pieces
- 2 Leather Buckle Up Handles
- 1 Leather Magnetic Closure

### To Make:

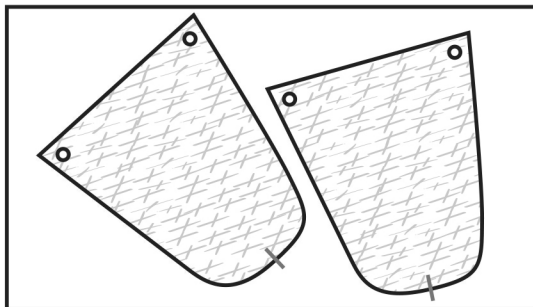
1. Fold bag piece in half and mark position of magnetic closure on inside of bag piece. Hand or machine stitch in place.



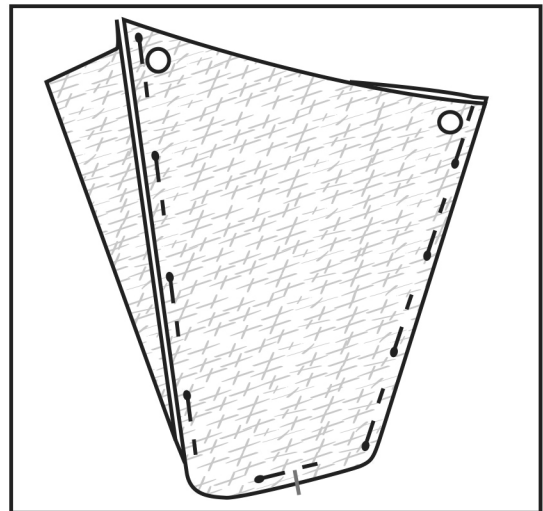
2. Embellish as desired.



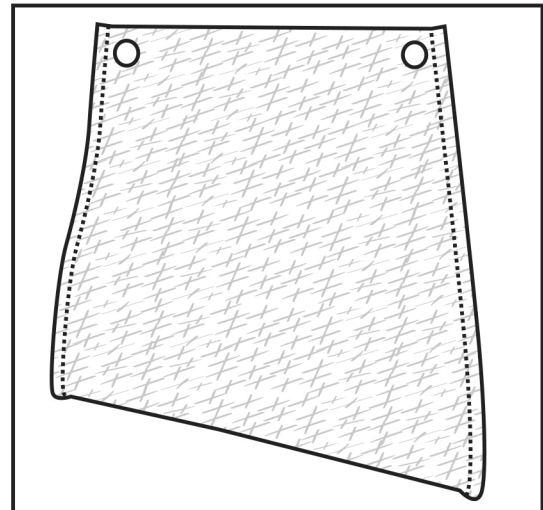
3. Mark centre base of side gusset pieces.



4. Pin gusset pieces to bag piece, matching centre marks on base of bag.



5. Stitch together using a zipper foot. (to allow for close stitching to eyelets)



6. Attach handles.



**Congratulations, your Aster & Anne bag is complete!**



Watch our instructional video on YouTube - [asterandanne](https://www.youtube.com/asterandanne)



Aster and Anne



[www.asterandanne.com.au](http://www.asterandanne.com.au)



[info@asterandanne.com.au](mailto:info@asterandanne.com.au)



[info@asterandanne.com.au](mailto:info@asterandanne.com.au)